



# ***FLOWORKS*** ***ICS***

---

**INSTRUMENT CONNECTION  
SYSTEMS**

## ***LEVEL MEASUREMENT FLUSH RINGS CONNECTION SYSTEMS***

Flush Rings are drilled and tapped on both sides of the flange for safety

Various applications, pressure ratings and materials

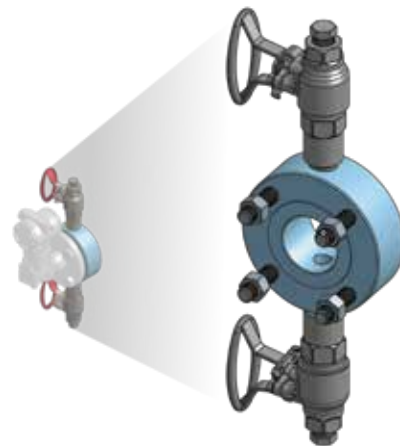
Welded ball, gate or globe valves available for vent / flush / drains

Bolt on diaphragm seals available in universal seal, ASME B16.5 or DIN

Concentric and eccentric flush ring configurations that meet ASME thickness standards on both the process and instrument connections

Eccentric flush rings are available with different connections on the same ring to increase the area on the instrument connection. E.g. - 2" process connection and 3" instrument connection

Available with robust root valves that are designed as process valves (see valve literature)



## ***PRESSURE MEASUREMENT CONNECTION SYSTEMS***

Direct mount pressure transmitters to root valves in flanged, threaded or welded pipe connections

Applications for pressure in conjunction with flush rings and/or transmitters

Available with robust root valves that are designed as process valves (see valves literature)

Direct mount pressure gauge to root valves in flanged, threaded or welded pipe connections

Various applications, pressure ratings and material.

## ***FLOW MEASUREMENT CONNECTION SYSTEMS***

Compact orifice, wedge or venture connections

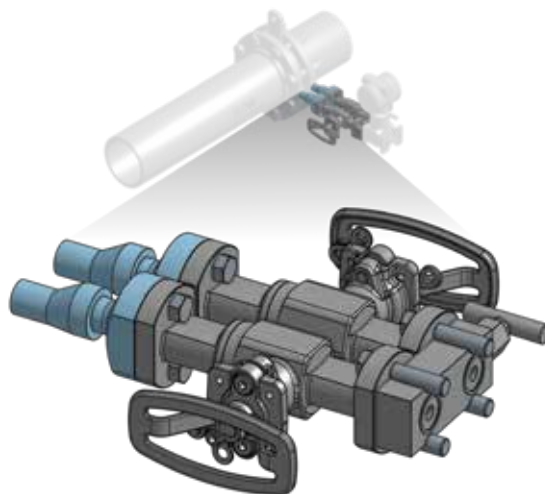
Various applications, pressure ratings and material.

Designs for horizontal and vertical applications with supported or non-supporting designs

Pressure compensated DP flow including steam and cryogenic

IEC 61518 I-flange or ASME B16.5 flanged or direct pipe connection available

Available with robust root valves that are designed as process valves (see valves literature)



# ***PRODUCTS***

**INSTRUMENT VALVES, INSTRUMENT CONNECTION SYSTEMS, FLUSH RINGS**

# ***SERVICES***

**ISO CERTIFIED, ENGINEERING, PRODUCTION & TESTING**

# ***SOLUTIONS***

**SPECIAL INSTRUMENT CONNECTION SYSTEMS (ICS), OVER 250 CONFIGURATIONS WHICH CAN BE CUSTOMIZED INTO HUNDREDS OF ICS SOLUTIONS**

# VALVES

- Design to ASME B16.34 and API 608 in various materials
- Dual packing, Firesafe API 607 and FE API 641, with easy access gland nut for packing adjustments
- Options for Extended Bonnets, Self-Relieving Seats or Vented Ball, custom end connections, and more
- Oval Handle, lockable with visual position indicator
- Bi-Directional Seating
- Blowout-Proof Stem
- ISO5211 Mounting Pad

## LADISH



## CHAODA





## **FLOWORKS BRANCHES NORTH AMERICA & WORLDWIDE**

### **HEADQUARTERS**

**3750 Pasadena Freeway**

**Pasadena TX 77503**

**Email: [IHSales@FloWorksICS.com](mailto:IHSales@FloWorksICS.com)**

**Sales: (833) 233-6010**

For local support, call your  
nearest branch listed below

**FloWorks is a family of award-winning companies that includes  
Sunbelt Supply, Major Inc, National Valve and Severe Service Specialists.**

### **CANADA**

#### **EDMONTON, AB**

182 Turbo Drive East  
Sherwood Park, Alberta T8H 2J6  
Tel: (780) 468-3999  
[EdmontonSales@sunbeltsupply.com](mailto:EdmontonSales@sunbeltsupply.com)

#### **REGINA, SK**

17 Innovation Drive  
Emerald Park, SK S4L 1C6  
Tel: (306) 988-8523  
[ReginaSales@sunbeltsupply.com](mailto:ReginaSales@sunbeltsupply.com)

### **CHINA**

#### **SHANGHAI**

3rd Floor, Bldg#2, No.388, Minshen  
Road Songjiang District  
Shanghai, 201612  
Tel: +86 139 1718 4771  
[ChinaSales@sunbeltsupply.com](mailto:ChinaSales@sunbeltsupply.com)

### **USA**

#### **BATON ROUGE, LA**

15445 W. Old Perkins Rd.  
Baton Rouge, LA 70810  
Tel: (225) 753-6666  
[BatonRougeSales@sunbeltsupply.com](mailto:BatonRougeSales@sunbeltsupply.com)

#### **BILLINGS, MT**

1309 Monad Rd.  
Billings, MT 59101  
Tel: (406) 200-6526  
[BillingsSales@sunbeltsupply.com](mailto:BillingsSales@sunbeltsupply.com)

#### **CARSON, CA**

17129 Kingsview Ave.  
Carson, CA 90746  
Tel: (310) 327-7750  
[CarsonSales@sunbeltsupply.com](mailto:CarsonSales@sunbeltsupply.com)

#### **CHICAGO, IL**

21800 Lagrange  
Frankfort, IL 60423  
Tel: (708) 757-4595  
[ChicagoSales@sunbeltsupply.com](mailto:ChicagoSales@sunbeltsupply.com)

#### **CINCINNATI, OH**

11 Sunnybrook Drive  
Cincinnati, OH 45237  
Tel: (513) 275-3203  
[CincinnatiSales@sunbeltsupply.com](mailto:CincinnatiSales@sunbeltsupply.com)

#### **CORPUS CHRISTI, TX**

1142 North Padre Island Dr.  
Corpus Christi, TX 78406  
Tel: (361) 792-7100  
[CorpusChristiSales@sunbeltsupply.com](mailto:CorpusChristiSales@sunbeltsupply.com)

#### **DAPHNE, AL**

26374 Pollard Rd., Ste. B  
Daphne, AL 36601  
Tel: (251) 288-6940  
[LulingSales@sunbeltsupply.com](mailto:LulingSales@sunbeltsupply.com)

#### **EDISON, NJ**

210 McGaw Dr.  
Edison, NJ 08837  
Tel: (732) 727-8165  
[Sales@majorinc.com](mailto:Sales@majorinc.com)

#### **FREEMONT, TX**

2811 FM 523  
Freeport, TX 77541  
Tel: (979) 233-9686  
[FreeportSales@sunbeltsupply.com](mailto:FreeportSales@sunbeltsupply.com)

#### **GEISMAR**

6122 Commerce Pointe Dr.  
Geismar, LA 70734  
Tel: (225) 335-0343

#### **KINGSPORT, TN**

2453 Sherwood Rd.  
Kingsport, TN 37664  
Tel: (423) 767-7137  
[KingsportSales@sunbeltsupply.com](mailto:KingsportSales@sunbeltsupply.com)

#### **LA PORTE, TX**

*Pipe, Fittings, and Flanges*  
41912 S. 16th St., Ste. 100  
La Porte, TX 77571  
Tel: (713) 672-2222  
[LaPorteSales@sunbeltsupply.com](mailto:LaPorteSales@sunbeltsupply.com)

#### **LAKELAND, FL**

4355 Drane Field Rd.  
Lakeland, FL 33811  
Tel: (863) 646-1493  
[LakelandSales@sunbeltsupply.com](mailto:LakelandSales@sunbeltsupply.com)

#### **LONGVIEW, TX**

1612 East Whaley St.  
Longview, TX 75601  
Tel: (903) 753-2500  
[LongviewSales@sunbeltsupply.com](mailto:LongviewSales@sunbeltsupply.com)

#### **LULING, LA**

382 Judge Edward Dufresne Pkwy.  
Luling, LA 70070  
Tel: (985) 785-0007  
[LulingSales@sunbeltsupply.com](mailto:LulingSales@sunbeltsupply.com)

#### **MIDLAND, MI**

3201 Bay City Rd.  
Midland, MI 48642  
Tel: (989) 488-4640  
[MidlandSales@sunbeltsupply.com](mailto:MidlandSales@sunbeltsupply.com)

#### **NEDERLAND, TX**

*Valves and Automation*  
1910 Industrial Park Road  
Nederland, TX 77627  
Tel: (409) 724-0969  
[NederlandSales@sunbeltsupply.com](mailto:NederlandSales@sunbeltsupply.com)

#### **NEDERLAND, TX**

*Pipe, Fittings, and Flanges*  
2004 Industrial Park Road  
Nederland, TX 77627  
Tel: (409) 724-0647  
[SouthwestSales@gofloworks.com](mailto:SouthwestSales@gofloworks.com)

#### **PASADENA, TX**

*Valves and Automation*  
3750 Hwy. 225 (Pasadena Fwy.)  
Pasadena, TX 77503  
Tel: (713) 672-2222  
[PasadenaSales@sunbeltsupply.com](mailto:PasadenaSales@sunbeltsupply.com)

#### **PORT LAVACA, TX**

2129 State Hwy 35 N  
Port Lavaca, TX 77979  
Tel: (361) 552-0061  
[PortLavacaSales@sunbeltsupply.com](mailto:PortLavacaSales@sunbeltsupply.com)

#### **SULPHUR, LA**

*Lake Charles*  
3365 East Napoleon St.  
Sulphur, LA 70663  
Tel: (337) 626-0440  
[SulphurSales@sunbeltsupply.com](mailto:SulphurSales@sunbeltsupply.com)

#### **TEXAS CITY, TX**

2407 TX-146  
Texas City, TX 77590  
Tel: (409) 945-3240  
[TexasCitySales@sunbeltsupply.com](mailto:TexasCitySales@sunbeltsupply.com)

#### **TRUSSVILLE, AL**

4251 Praylor Way, Ste. 121  
Trussville, AL 35173  
Tel: (205) 555-1163

#### **TULSA, LA**

3742 South Maybelle Ave.  
Tulsa, OK 74107  
Tel: (918) 445-1656  
[TulsaSales@sunbeltsupply.com](mailto:TulsaSales@sunbeltsupply.com)



FloWorks International, together with its family of companies that include Sunbelt Supply, Major Inc. and Triple S, is a leading specialty supplier of industrial flow control products and an expert provider of tailored technical solutions to downstream and industrial end markets. Headquartered in Houston, Texas and operating 26 facilities across North America, Europe, and Asia, FloWorks delivers a broad spectrum of valve and automation services and specialty MRO PVF. FloWorks' global reach, close proximity to customers, and technical expertise enables FloWorks to serve as a critical link between suppliers and customers.

---

## ***SAFETY POLICY***

Floworks International is committed to consistently conducting business that provides an injury-free and healthy workplace. As a team, this will be accomplished without compromising our commitment to pollution prevention practices, and the health and safety of our employees.

## ***QUALITY POLICY***

As the leading flow solutions experts, Floworks International strives to exceed customer and industry standards. Our strategic, global network of branches are committed to delivering quality products, technical support and critical services in a prompt, consistent and accurate manner. Sunbelt Supply is dedicated to continuous improvement ensuring that the highest quality is reflected in every transaction conducted by our united network of branches.

Also Sold Through



SEVERE SERVICE SPECIALISTS



---

FLOWORKSICS.COM  
SUNBELTSUPPLY.COM  
SSSVVALVE.COM  
MAJORINC.COM